

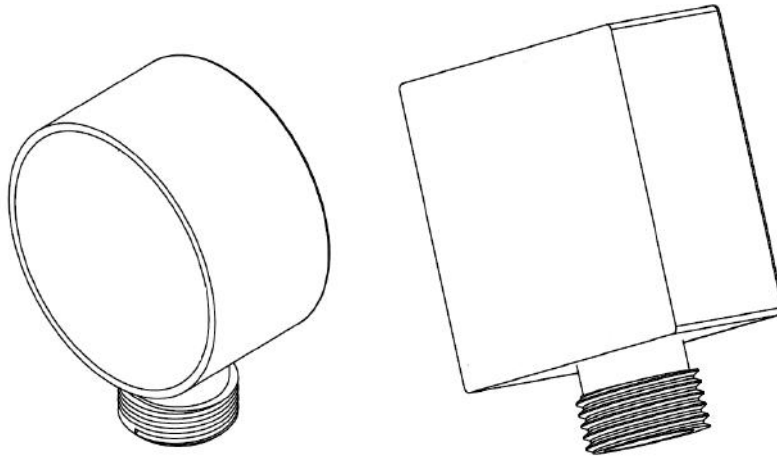
# USER MANUAL



Thank you for choosing Better Bathrooms.  
Please read this manual before installing your product  
and keep for future reference.

Better  
Bathrooms.com

## Square and Round Wall Elbow BeBa\_26371 & BeBa\_26372



Please note: Image is for illustrative purposes only and may differ slightly to the actual product

- **Single-person assembly**
- **Tools required**
- **We always recommend using professional tradespeople to install your product**

V1\_11.6.20

# Congratulations on your purchase

*And welcome to our growing gang of savvy shoppers*

We're on a mission to bring you extraordinary bathroom products, for less. From modern to traditional style ceramics, plus the gorgeous fixtures, fittings and furniture to match. So, you can fall in love with your space every single day.

As one of the UK's largest independent bathroom stores, we've received countless awards; including the National Business Awards UK, the Digital Entrepreneur Awards and being placed on The Sunday Times Fast Track 100.

We hope your new product exceeds your highest expectations. However, if you experience any problems, please:

- call our friendly UK call centre on **0871 244 0935** (9am-7pm Monday to Friday, or 10am-4pm Saturday and Sunday), or
- send us a message via **customerservices@buyitdirect.co.uk**

## Important information

- Please read these instructions thoroughly and retain for future reference.

## Parts

Square or round wall elbow

Pipe fitting – ½" female (not supplied)

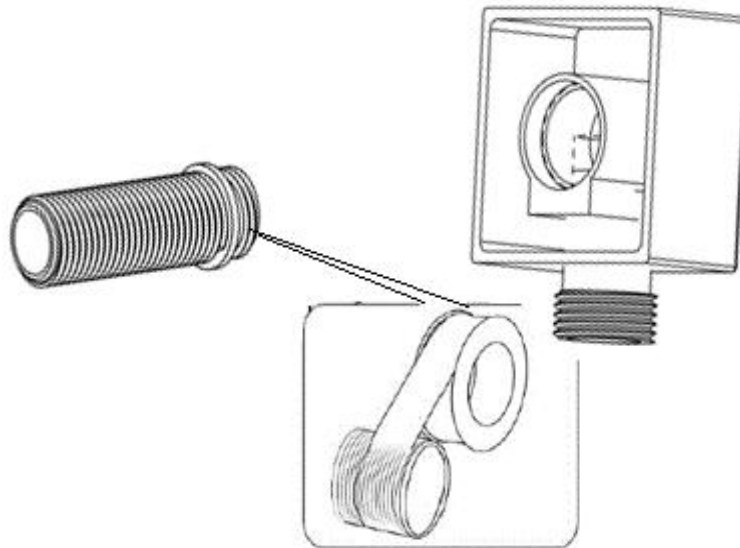
## Tools required

PTFE tape

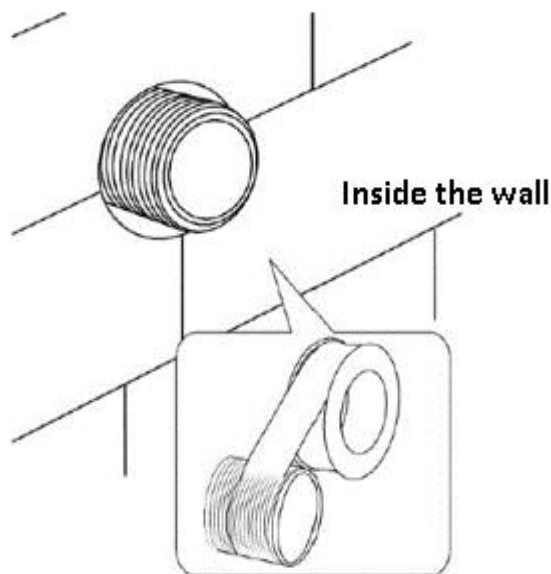
# Installation

**Please note:** The pipework and connection method should be prepared within the wall  
Recommended method is to secure the arm to a wall elbow which has been fixed rigidly within the wall.

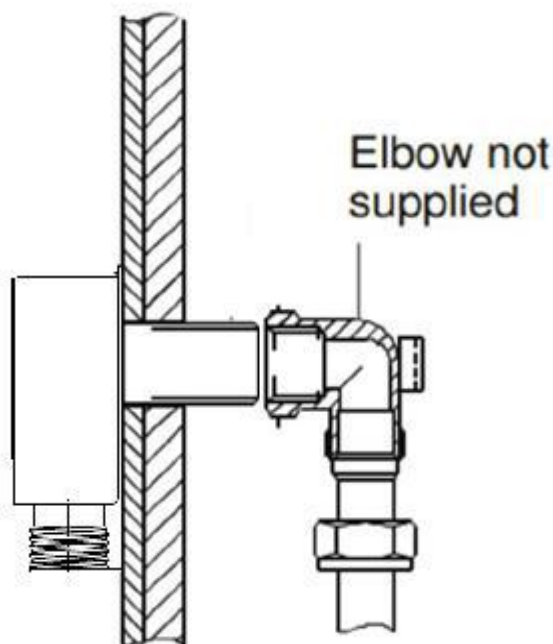
1. Apply sufficient PTFE tape to the short end of the threaded bar and screw this into the rear of the wall elbow until a seal is created.



2. Apply sufficient PTFE to the thread of the long thread of the wall elbow which will go into the wall. Place the thread through the hole in the wall and screw this into the fitting within the wall.



3. Continue screwing the thread into the fitting until a seal is created and the outlet for the hose is pointing downwards and, the wall elbow is flush with the finished wall. Silicone can be applied if necessary.



**Please note:** Once installation is completed, turn on the water supply and check for any leaks

## Cleaning

To maintain the surface finish of your product, wipe clean after every use, using a clean damp cloth, a mild detergent mixture can be used. Do not use abrasive cleaning agents or materials on the product surface.

If any harsh chemicals come into contact with the surface of the product during bathroom cleaning, rinse off immediately, wipe clean and dry.

### **For more information**

- visit [betterbathrooms.com](http://betterbathrooms.com)
- email [customerservices@buyitdirect.co.uk](mailto:customerservices@buyitdirect.co.uk)
- call 0871 244 0935
- write to Trident Business Park, Neptune Way, Huddersfield, HD2 1UA

**Better**  
bathrooms.com

Part of the BuyItDirect Group